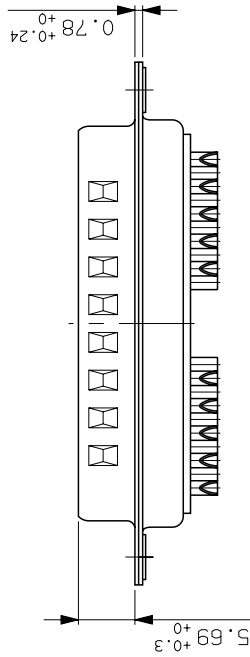
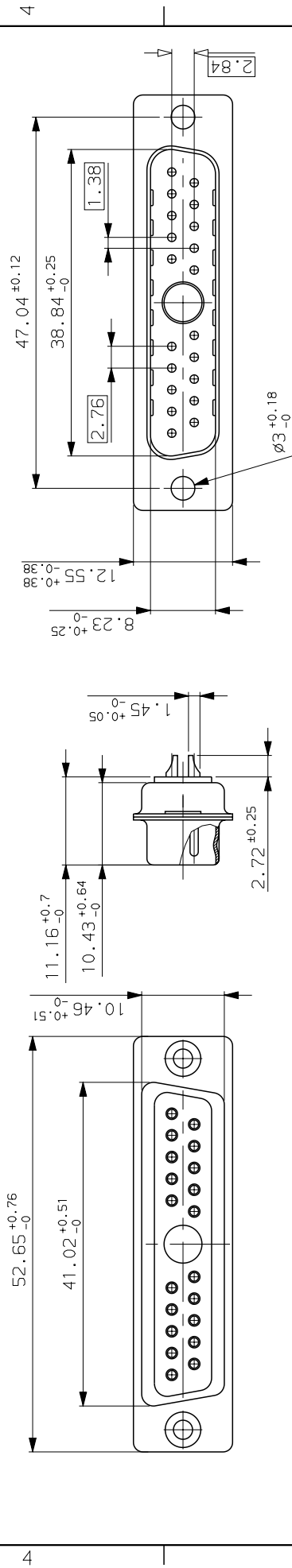


GENERAL CHARACTERISTICS : SEE DRAWING C01-8639-0000



DB21W1PA00
PART NUMBER

b	01/10/03	update	--
ISS DATE	Latest modification by : DEBRAY.T	MOD N°	--
Designed by: JARRY	date:10/01/01	Type of drawing: CLIENT	SHEET 1/1
TITLE : PIN CONNECTOR 21W1			
SCALE: 2	1		
 FRAMATOME TRIP	FRAMATOME CONNECTORS FRANCE Rue Louis Breguet - Bp 05 72024 LE MANS Cedex Tel. (33)02.43.78.34.00	This document is the property of FRAMATOME CONNECTORS FRANCE It must not be reproduced or communicated without permission in writing from the owners	
	DRG N° C01-8639-1813	PROJECT M94D001	

